

■ RI SHENG
ELECTRIC PORCELAIN



RI SHENG
日升电瓷

萍乡市日升电瓷有限公司

PINGXIANG RISHENG ELECTRIC PORCELAIN CO., LTD.



地址：江西省萍乡市芦溪县上埠镇河口

手机：13707996031

Q Q：125114980

电话：0799-7618678

传真：0799-7618679

E-mail: pxrsc@163.com

Http://www.pxrsc.com

萍乡市日升电瓷有限公司

PINGXIANG RISHENG ELECTRIC PORCELAIN CO., LTD.



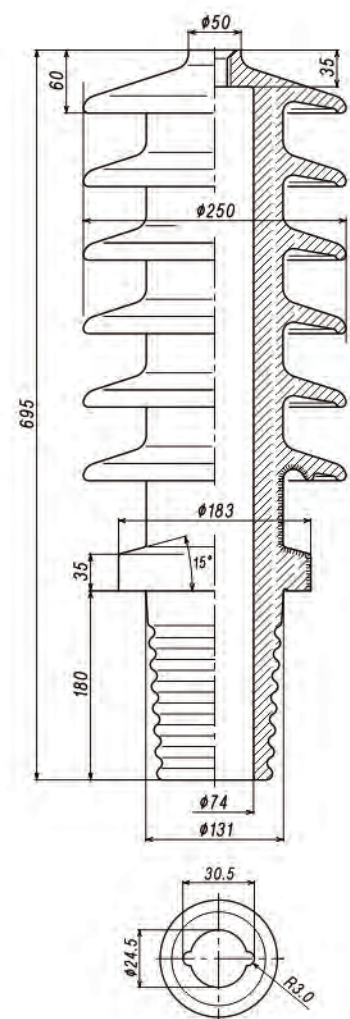
RI SHENG
ELECTRIC PORCELAIN



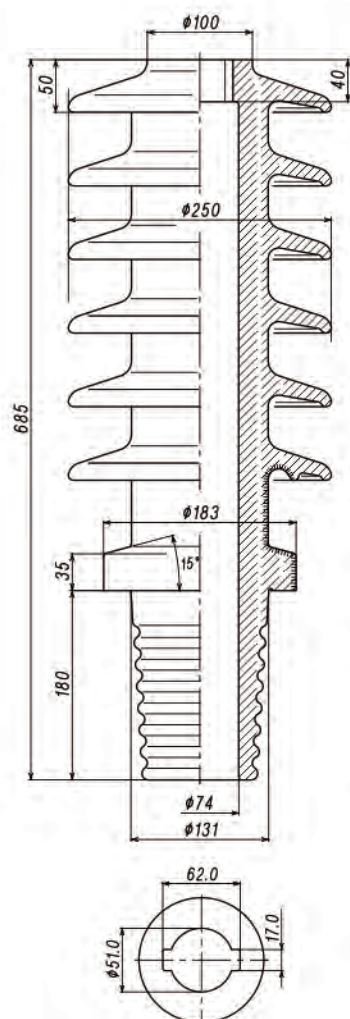
Isolatori passanti per trasformatori DIN 42534, EN 50180 (tipo 29) • 52 KV - 250 ÷ 5000 A

Transformer bushing insulators DIN 42534, EN50180 (type 29) • 52 KV - 250 ÷ 5000 A

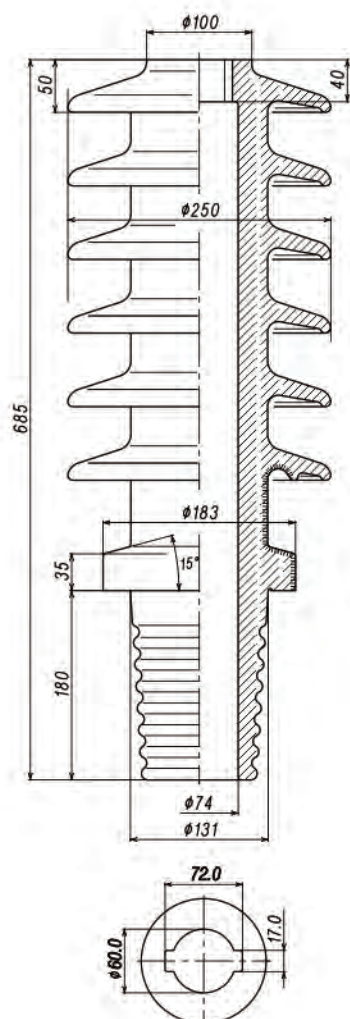
CODICE/CODE	A69020000	A69048000	A69058000
CLASSE/CLASS	250 A - 630 A	1000 A - 3150 A	4500 A - 5000 A
Rif. Dis./Draw. refer.	1	2	3
Linea di fuga nom. mm Creepage distance mm	1040	1010	1010
Distanza d'arco mm/ Arcing distance mm	410	400	400
Tensione nominale kV / Rated voltage kV	52	52	52
Tensione di tenuta all'impulso atmosferico kV Lightning impulse withstand voltage	250	250	250
Tensione di tenuta a freq. ind. sotto pioggia kV Power frequency withstand voltage, wet kV	95	95	95
Peso(gr.) / Weight(gr.)	23000	23000	23000



1



2



3

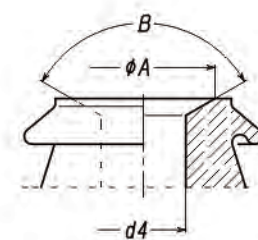
RI SHENG
ELECTRIC PORCELAIN



Isolatori passanti per trasformatori - EN50386

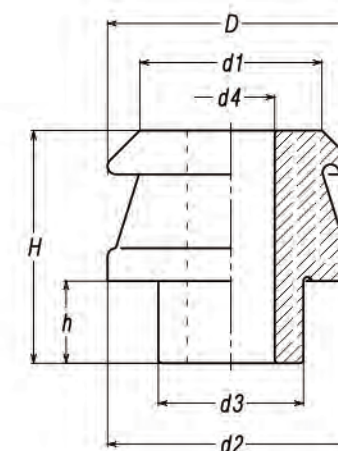
Transformer bushing insulators - EN50386

CODICE/CODE	A50013000E	A50013000EL	A50030000E	A50030000	A50042000	A50048000	A50053000	
CLASSE/CLASS	1/250	1/250	1/630	1/1250	1/2000	1/3150	1/4000-5000	
Rif. Dis./Draw. refer.	A	B	A	B	A	B	A	B
H	70	30	93	30	80	30	85	35
h	45	20	68	20	55	20	55	25
D	56	60	70	60	70	85	90	110
d1	-	30	-	30	-	45	-	57
d2	56	50	56	50	70	70	90	90
d3	27	-	27	-	43	-	53	-
d4	14	-	14	-	22	-	32	-
F	-	50	-	50	-	70	-	90
F1	-	20	-	20	-	28	-	37
ø A	22	-	22	-	32	-	-	-
B	120°	-	120°	-	120°	-	-	-
Linea di fuga nom. mm Creepage distance mm	55	-	115	-	70	-	75	-
Peso(gr.) / Weight(gr.)	160	100	335	175	380	190	640	400



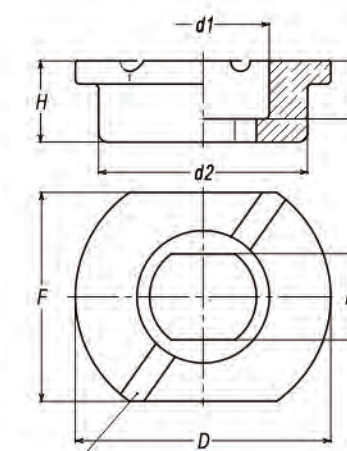
A

CLASSE 1/250 ÷ 1/630A
CLASS 1/250 - 1/630



A

CLASSE 1/1250 ÷ 1/5000A
CLASS 1/1250 - 1/5000



B

Scanalatura
solo per 1/250 - 1/630
Groove
only for 1/250 - 1/630

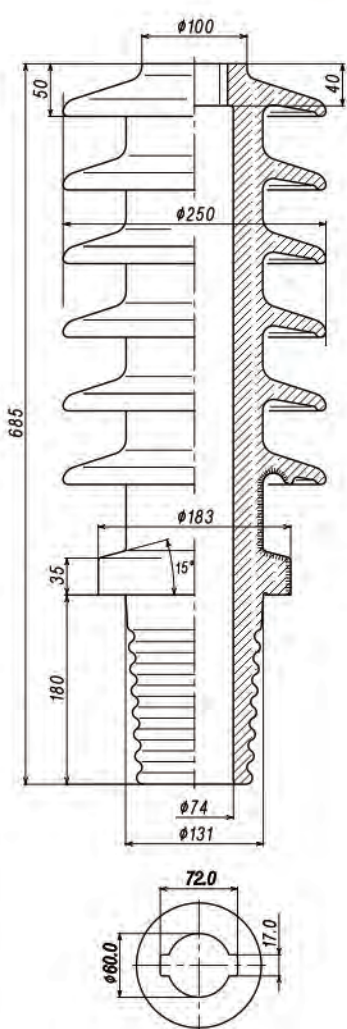
CLASSE 1/250 ÷ 1/5000A
CLASS 1/1250 - 1/5000



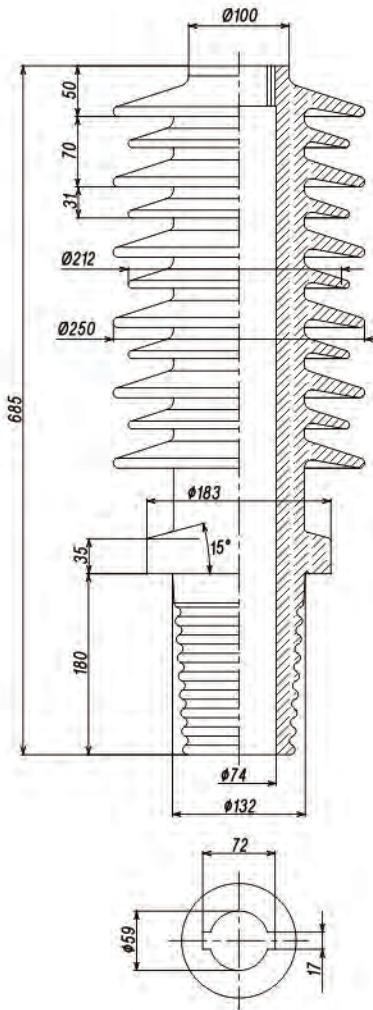
Isolatori passanti per trasformatori EN 50180 • 52 kV - 4500 ÷ 5000 A

Transformer bushing insulators EN50180 • 52 kV - 4500 ÷ 5000 A

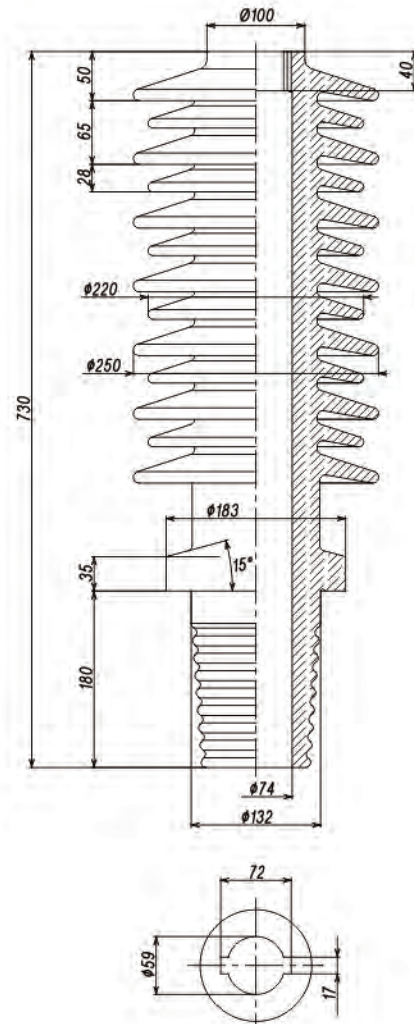
Codice Code	Tipo Type	Designazione Designation	Ur (kV)	Valore nominale min. linea di tipo Min. nominal creepage distance				Linea di fuga Creepage distance	Distanza d'arco Arcing distance	Peso (gr) Weight (gr)
				I	II	III	IV			
A69058000	29	52/4500 P1	52					1010		
		52/5000 P1	52							
N310581350	30	52/4500 P3	52					1350		
		52/5000 P3	52							
N310581655	31	52/4500 P4	52					1655		
		52/5000 P4	52							



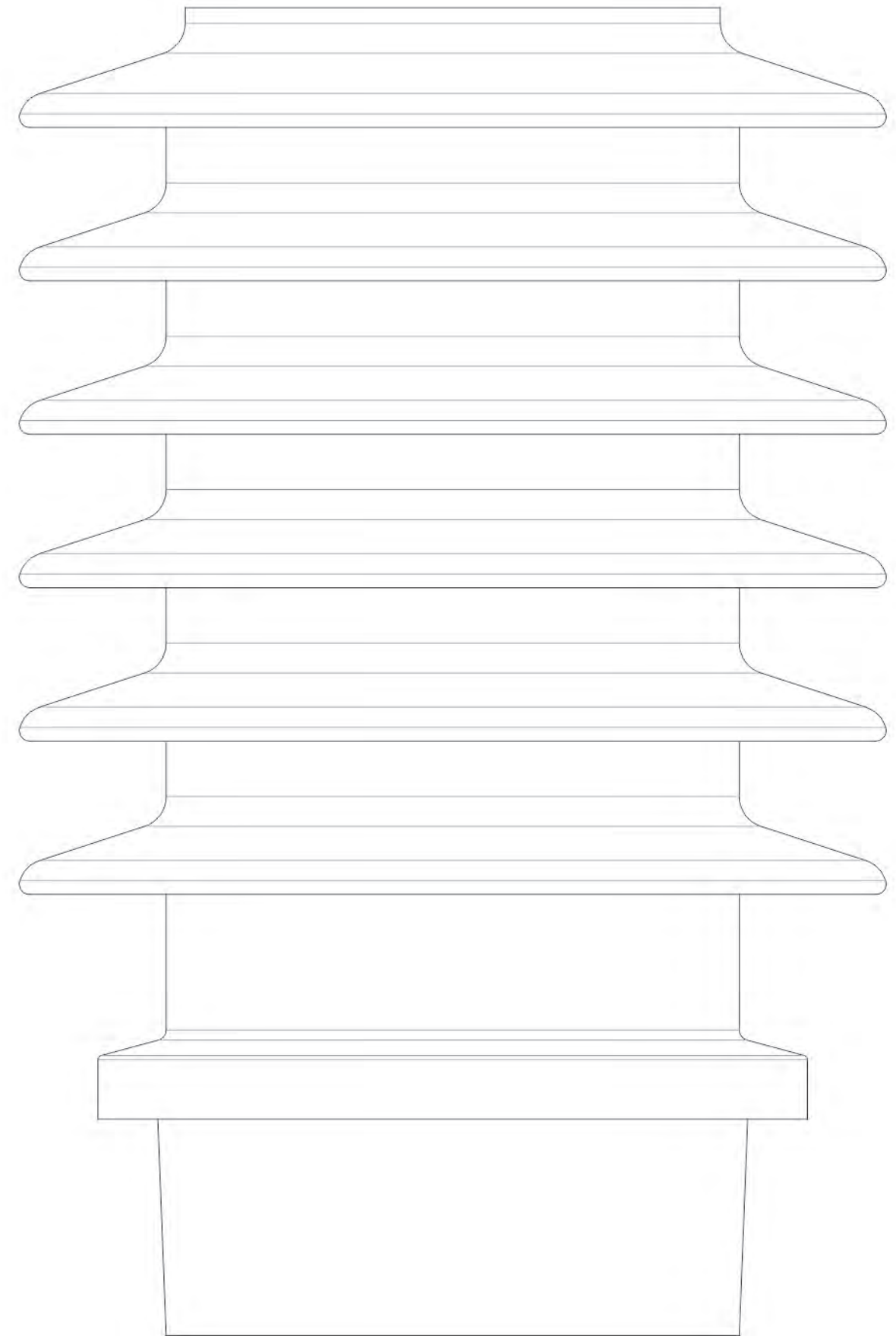
Type 29



Type 30



Type 31



INTEGRITY

诚信

电力连接万家 诚信走遍天下



Brief 企业简介 Introduction



谭红斌 总经理

萍乡市日升电瓷制造有限公司位于江西省萍乡市上埠工业园，占地面积八万平方米，员工500余人，高、中级技术人员50余人，总资产三千多万元。

日升公司专业生产40kV以下的电力变压器瓷套，出口型德标、英标、美标、奥标系列变压器瓷套。72千伏以下的支柱棒型瓷瓶，高低压线路绝缘子、以及各种熔断器瓷瓶、隔离开关瓷瓶等产品为主。产品多达300余种，品种齐全，并可根据客户的图纸或样品设计生产，产品均按国际IEC（国际电工委）、DIN(德标)、BS(英标)、AS(澳标)、ANSI(美标)、GB(国标)等国际标准生产。产品畅销全球，已为国际知名产家代工，如Barberi、Comem、Cedaspe (Made in Italy) , ABB (Made in Turkey) 等。多年来收到美国、泰国、新加坡、越南、柬埔寨、斯里兰卡、澳大利亚、尼日利亚、印尼、肯尼亚、巴西，南非等国家地区客户的好评，欢迎广大客户来图，来样、来电，订购产品。预祝所有客户、蒸蒸日上、日日上升！

我们将致力于世界的电力发展而努力奋斗！

Pingxiang Risheng Electric Porcelain Co., Ltd. is located in Shangbu Industrial Park, Pingxiang City, Jiangxi Province. It covers an area of 80,000 square meters, has more than 500 employees, more than 50 senior and intermediate technical personnel, and has total assets of more than 30 million yuan.

Risheng Company specializes in the production of porcelain bushing for power transformers below 40kV, and export-oriented DIN, BS, ANSI, and AS standard transformer bushings. The main products are long rod type porcelain insulator below 72 kV, high and low voltage line various type porcelain insulator, Fuse cut-out porcelain insulator, Disconnect switch porcelain insulator and other products. There are more than 300 kinds of products, complete varieties, and can be designed and produced according to customer drawings or samples. Products are in accordance with international IEC (International Electrotechnical Commission), DIN (German standard), BS (British standard), AS (Australian standard), ANSI (American Standard), GB (National Standard) and other international standards production. The products sell well all over the world, and have been OEM for internationally renowned manufacturers, such as Barberi, Comem, Cedaspe (Made in Italy), ABB (Made in Turkey), etc. Over the years, we have received high praise from customers in the United States, Thailand, Singapore, Vietnam, Cambodia, Sri Lanka, Australia, Nigeria, Indonesia, Kenya, Brazil, South Africa and other countries and regions. Customers are welcome to send pictures, samples, calls, and order products. I wish all customers prosperous and rising day by day!

We will devote ourselves to the world's electric power development and work hard!

RISHENG RISHENG RISHENG RISHENG RISHENG RISHENG RISHENG RISHENG RISHENG RISHENG RISHENG RISHENG

ADD: The estuary of shangbu town, luxt county, Pingxiang city, jiangxi province, china. TEL: 13707996031

E-mail:pxrsdc@163.com
Http://www.pxrsdc.com

TEL: 0799-7618678
FAX: 0799-7618679

